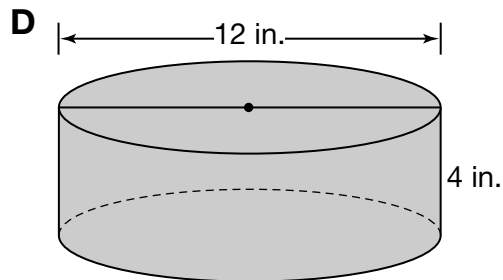
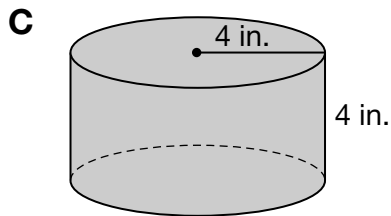
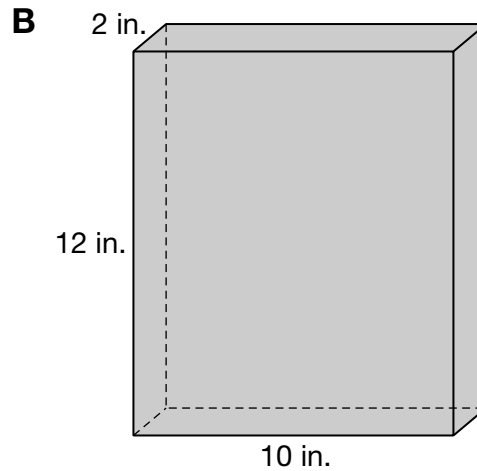
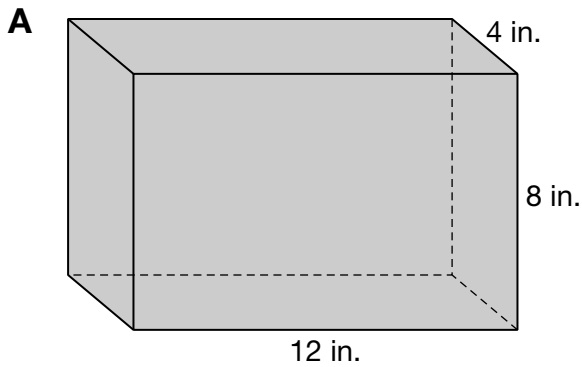


# Chapter 12 Review

## Prize by Volume

Suppose you have just won a raffle. For your prize, you get to fill a container with quarters. You can keep all of the quarters you can fit into the container. Choose from the following containers.



Which container would you choose if you wanted to get the most money?  
Explain how you know.

Answers are located on page 115.