

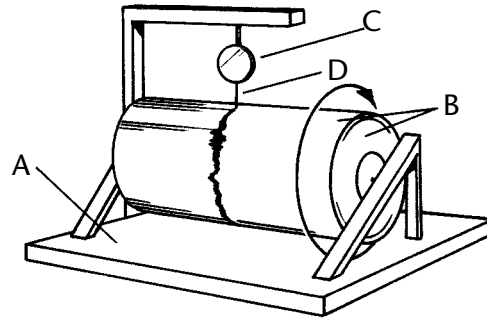
**Chapter 9**

Use with Section 3

**REINFORCEMENT****• Destruction by Earthquakes**

Write the names of the seismograph parts illustrated on the lines provided.

- A. \_\_\_\_\_  
 B. \_\_\_\_\_  
 C. \_\_\_\_\_  
 D. \_\_\_\_\_



Use the table titled "Large Magnitude Earthquakes" in your text to help you answer the following questions.

- When and where was the strongest earthquake listed in the table? \_\_\_\_\_
- How many earthquakes on the chart had a Richter value of 8.3? \_\_\_\_\_
- Where were the earthquakes that had a Richter value of 8.3? \_\_\_\_\_  
 \_\_\_\_\_
- Why might so many more people have died in the Tokyo earthquake than in the New Madrid earthquake? \_\_\_\_\_  
 \_\_\_\_\_
- The earthquake in southern Chile was 32 times stronger than which other earthquake? \_\_\_\_\_  
 \_\_\_\_\_
- Which earthquakes occurred in North America? \_\_\_\_\_  
 \_\_\_\_\_  
 \_\_\_\_\_
- Which earthquakes were 32 times greater than an earthquake registering 7.1 would be? \_\_\_\_\_  
 \_\_\_\_\_