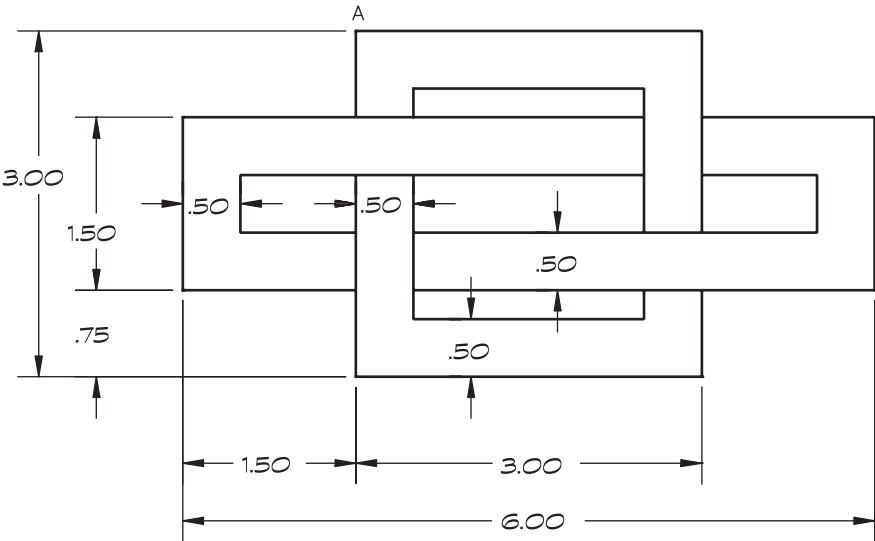


Problem 13. Beginning at point A, make a drawing of the inlay. Scale: Full size. Do not add dimensions unless instructed to do so.



A