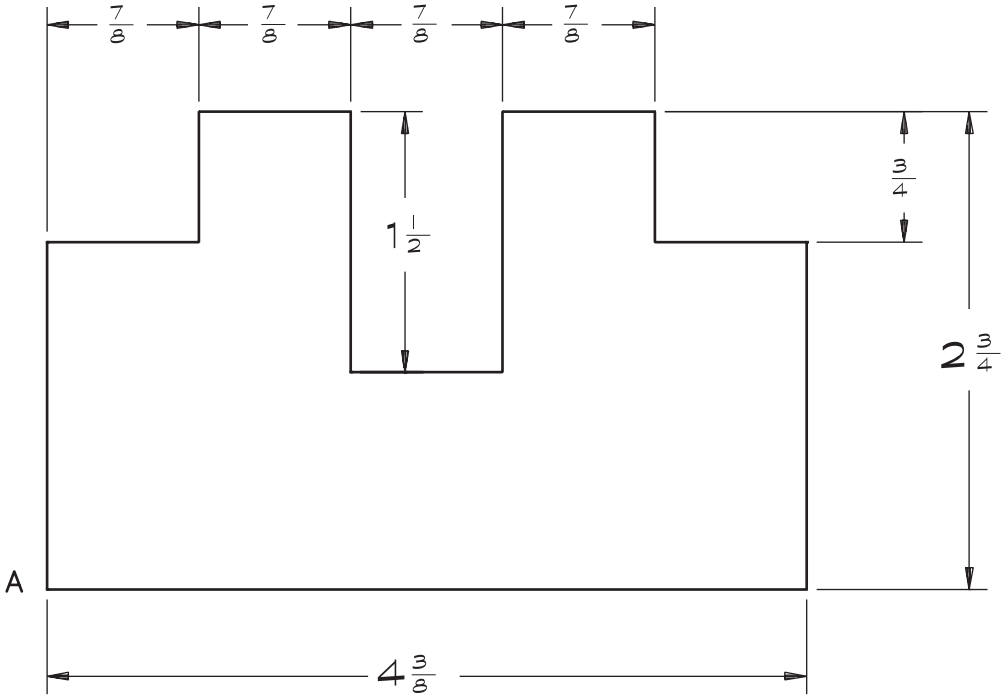


**Problem 14.** Beginning at point A, make a drawing of the template. Scale: Full size. Do not add dimensions unless instructed to do so.



A L