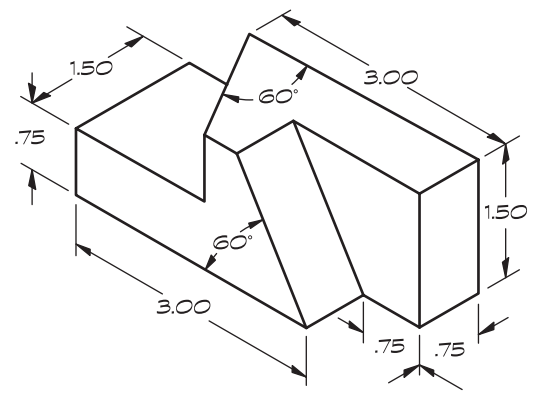


Problem 48. In the space below, draw three views of the wedge spacer. Scale: Full size.



WEDGE SPACER