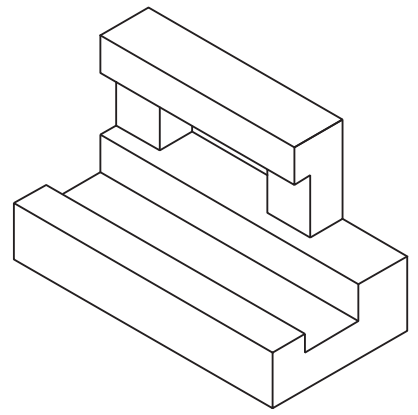


Problem 62. Draw the top view of the support guide. Do not erase construction and projection lines. Do not dimension.



SUPPORT GUIDE

