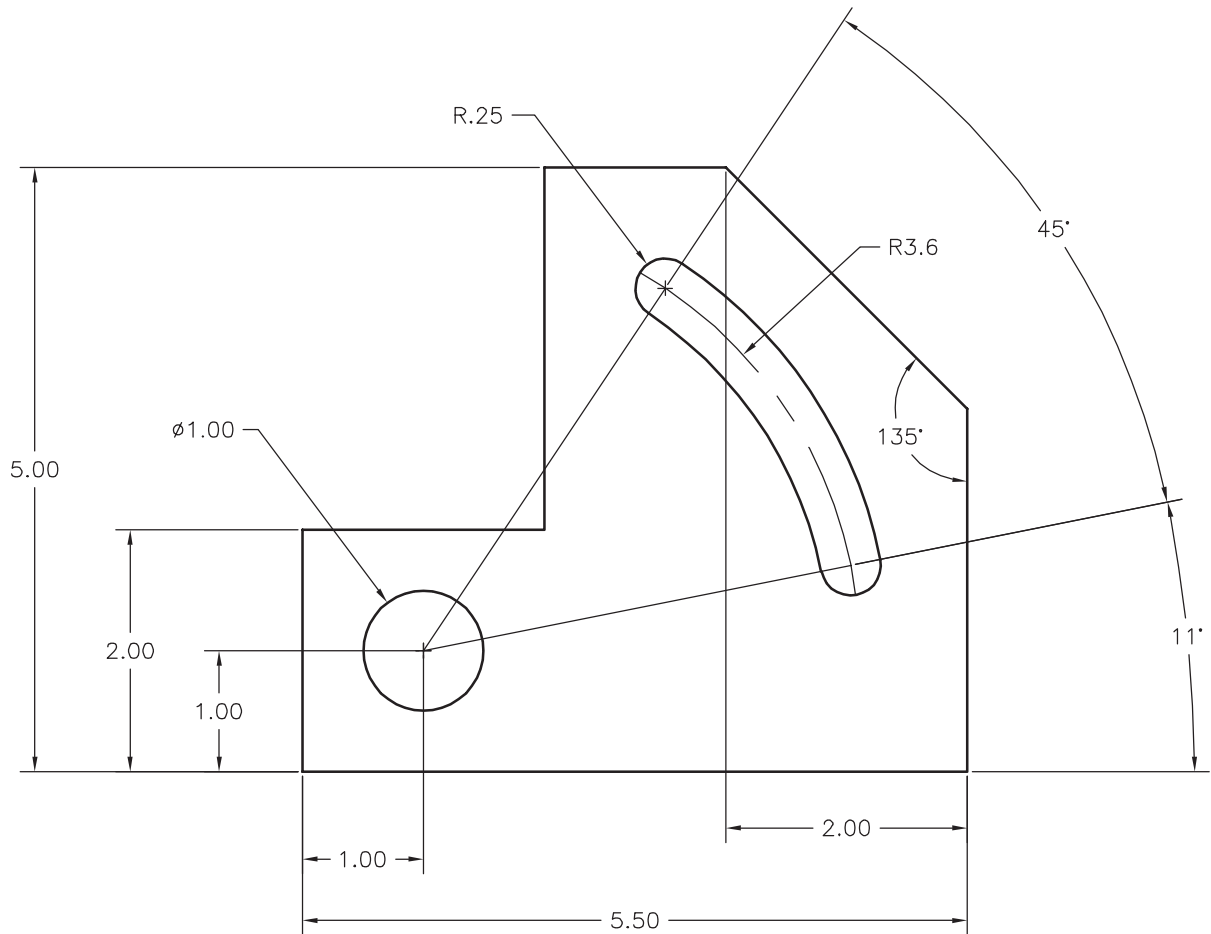


CAD Problem 1

Adjustable Bracket

Draw the adjustable bracket shown below. If you are using board drafting techniques, mark all of the tangent points and do not erase construction lines.



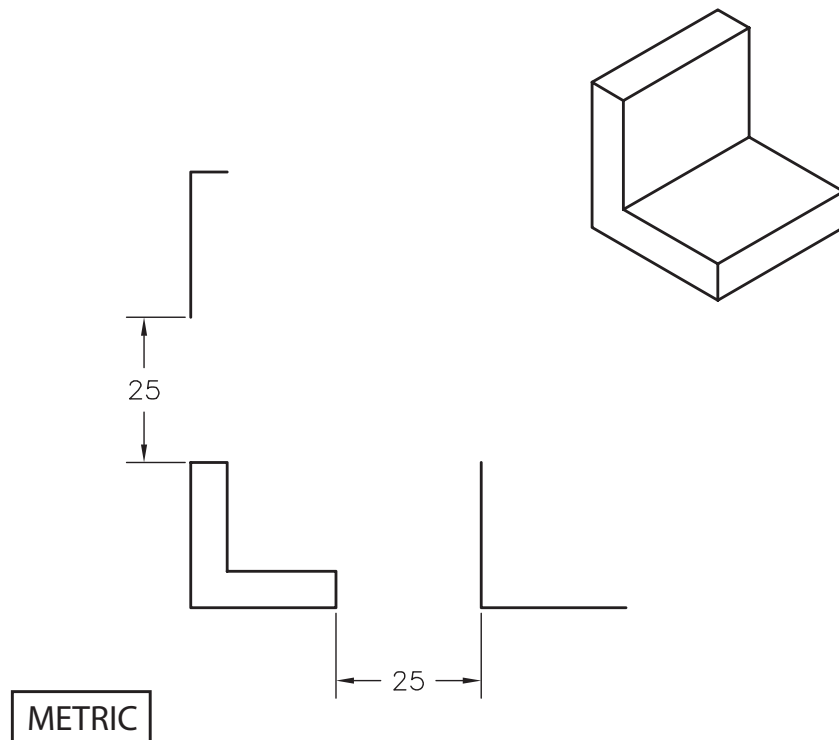
This problem can be used with the following Glencoe textbooks:

Textbook	Chapter
<i>Hands-On AutoCAD</i>	6
<i>Hands-On AutoCAD LT</i>	6
<i>Mechanical Drawing</i>	5
<i>Applying AutoCAD 2006</i>	15
<i>Applying AutoCAD 2005</i>	15

CAD Problem 2

Step Block

Complete the top and side views of the step block shown below. Do not include the dimensions or the isometric view. The block is 25 mm x 25 mm x 25 mm with a 6 mm step.



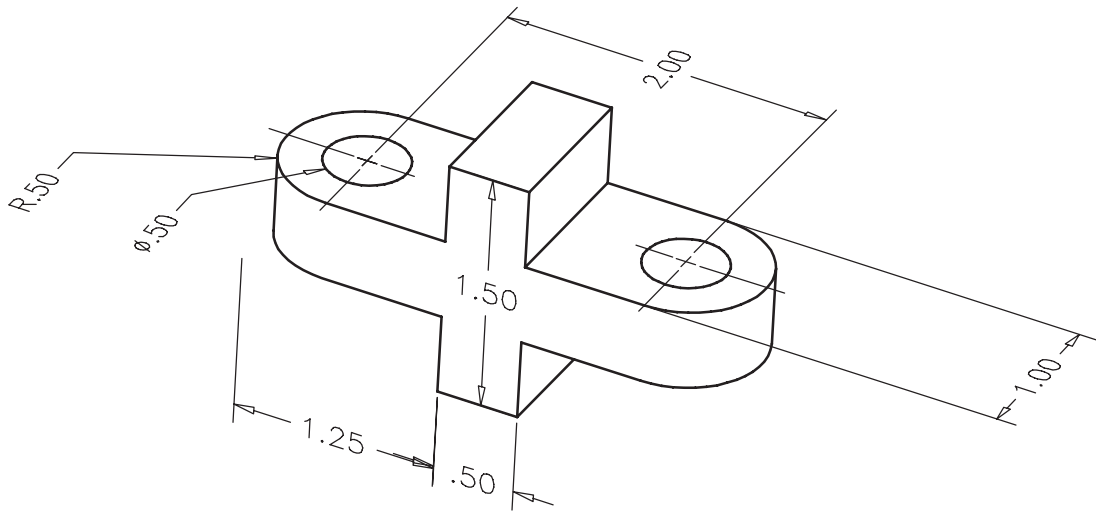
This problem can be used with the following Glencoe textbooks:

Textbook	Chapter
<i>Hands-On AutoCAD</i>	5
<i>Hands-On AutoCAD LT</i>	5
<i>Mechanical Drawing</i>	6
<i>Applying AutoCAD 2006</i>	11
<i>Applying AutoCAD 2005</i>	11

CAD Problem 3

Pole Separator

Create a three-view drawing of the pole separator shown below. Do not draw the pictorial view, and do not include dimensions.



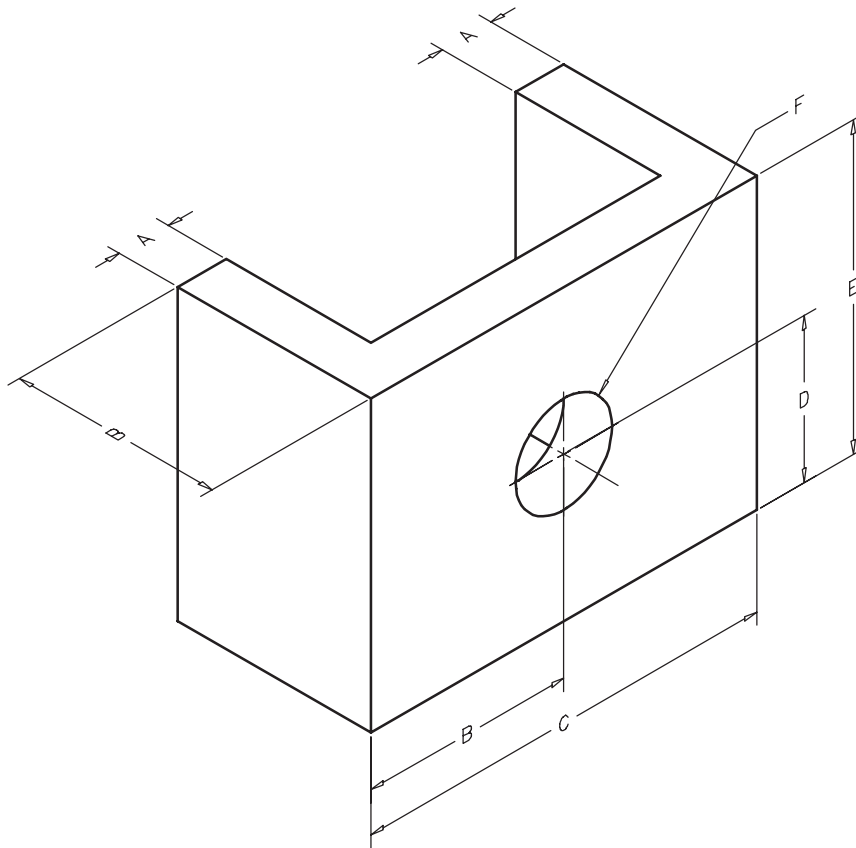
This problem can be used with the following Glencoe textbooks:

Textbook	Chapter
<i>Hands-On AutoCAD</i>	5
<i>Hands-On AutoCAD LT</i>	5
<i>Mechanical Drawing</i>	6
<i>Applying AutoCAD 2006</i>	11
<i>Applying AutoCAD 2005</i>	11

CAD Problem 4

Spacer

Create a three-view drawing of the spacer shown below. Do not draw the pictorial view, and do not include the dimensions. A = .50"; B = 2.0"; C = 4.0"; D = 1.5"; E = 3.0"; F = 1.0".



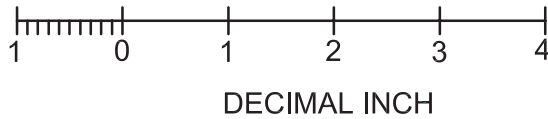
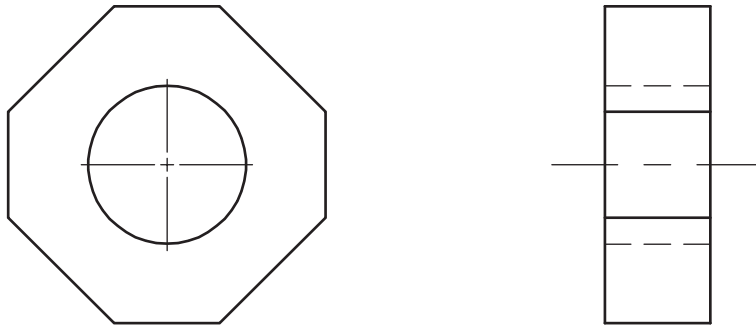
This problem can be used with the following Glencoe textbooks:

Textbook	Chapter
<i>Hands-On AutoCAD</i>	5
<i>Hands-On AutoCAD LT</i>	5
<i>Mechanical Drawing</i>	6
<i>Applying AutoCAD 2006</i>	11
<i>Applying AutoCAD 2005</i>	11

CAD Problem 5

Octagonal Spacer

Create a multiview drawing of the spacer shown below. Take dimensions from the scale shown in the drawing.



This problem can be used with the following Glencoe textbooks:

Textbook	Chapter
<i>Hands-On AutoCAD</i>	5
<i>Hands-On AutoCAD LT</i>	5
<i>Mechanical Drawing</i>	7
<i>Applying AutoCAD 2006</i>	11
<i>Applying AutoCAD 2005</i>	11