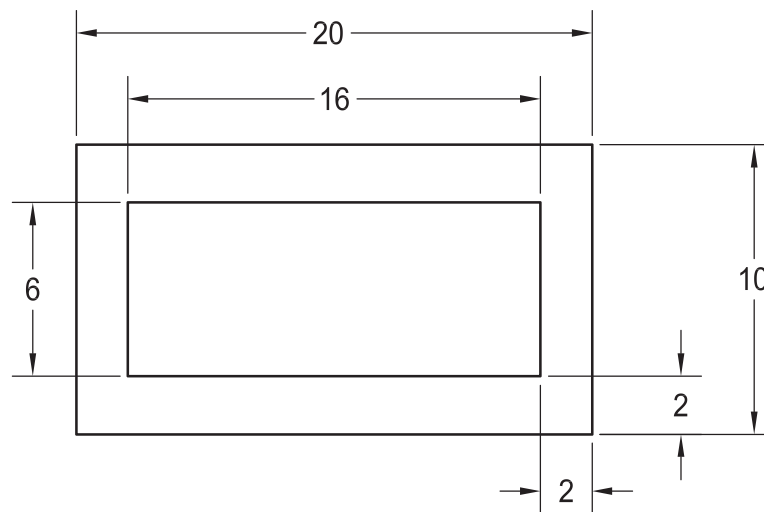


# CAD Problem 1

## Double Box

Use a drafting board or CAD to create the double box shown below. Do not include the dimensions, but draw the figure to scale using the dimensions shown.



METRIC

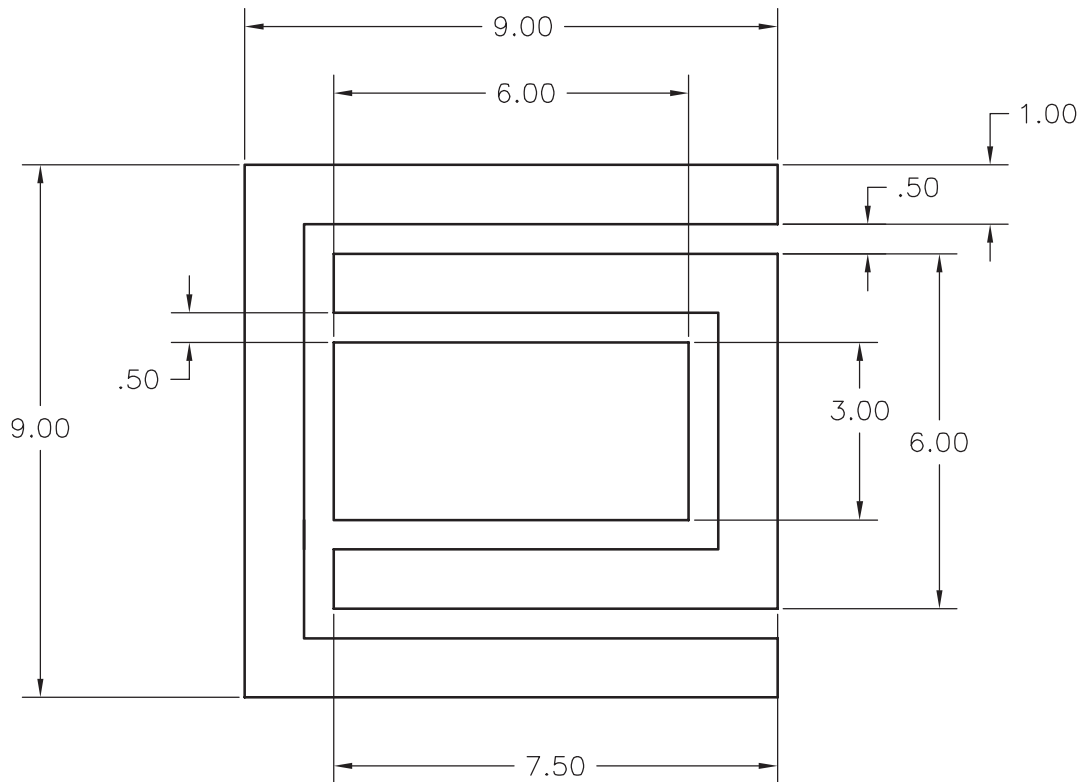
This problem can be used with the following Glencoe textbooks:

| Textbook                     | Chapter |
|------------------------------|---------|
| <i>Hands-On AutoCAD</i>      | 1, 3    |
| <i>Hands-On AutoCAD LT</i>   | 1, 3    |
| <i>Mechanical Drawing</i>    | 4       |
| <i>Applying AutoCAD 2006</i> | 4       |
| <i>Applying AutoCAD 2005</i> | 4       |

## CAD Problem 2

### Geometric Figure

Using a drafting board or CAD, create the figure shown below. Do not include the dimensions, but draw the figure to scale using the dimensions shown.



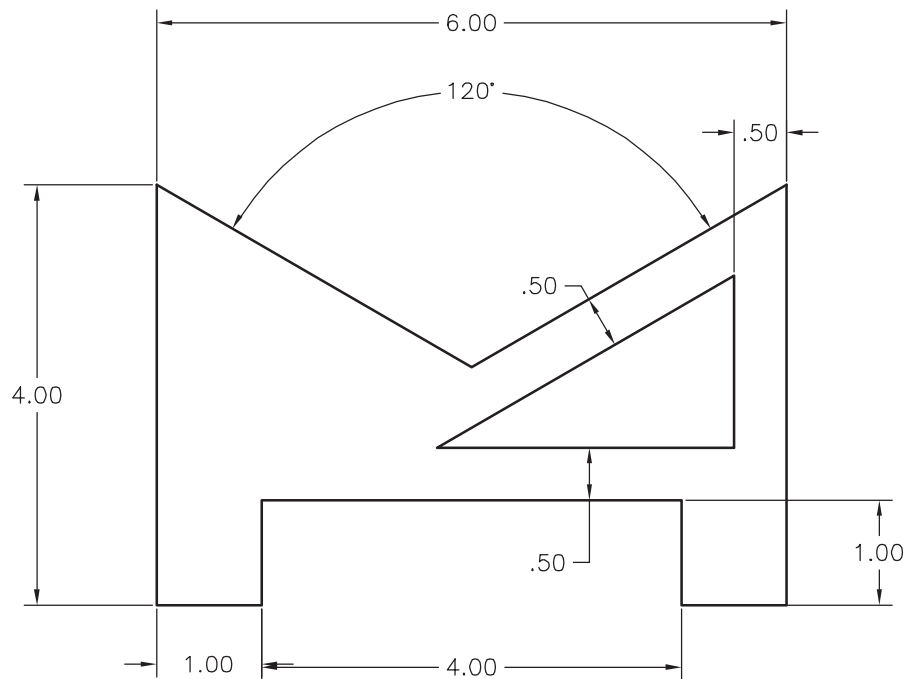
This problem can be used with the following Glencoe textbooks:

| <b>Textbook</b>              | <b>Chapter</b> |
|------------------------------|----------------|
| <i>Hands-On AutoCAD</i>      | 2              |
| <i>Hands-On AutoCAD LT</i>   | 2              |
| <i>Mechanical Drawing</i>    | 4              |
| <i>Applying AutoCAD 2006</i> | 4              |
| <i>Applying AutoCAD 2005</i> | 4              |

## CAD Problem 3

### Template

Using a drafting board or CAD, create the template shown below. Do not include the dimensions, but draw the template using the specified scale and dimensions.



SHEET SIZE: A  
SCALE: 1/2 SIZE

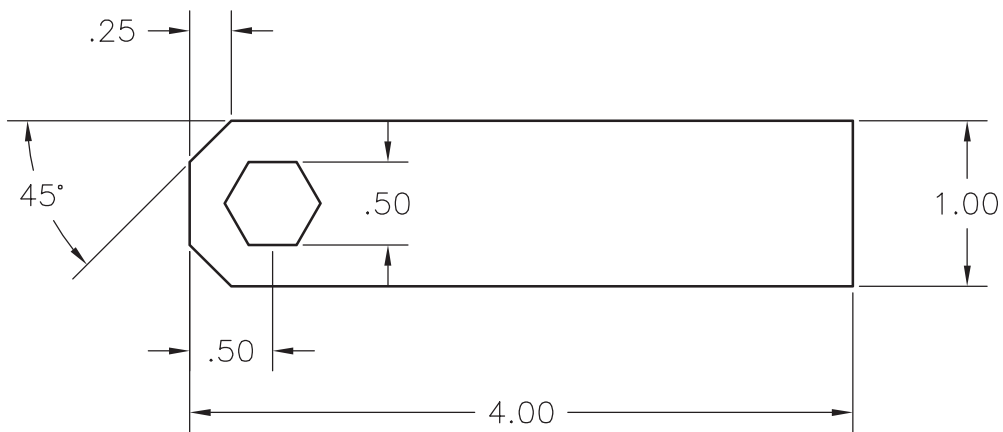
This problem can be used with the following  
Glencoe textbooks:

| <b>Textbook</b>              | <b>Chapter</b> |
|------------------------------|----------------|
| <i>Hands-On AutoCAD</i>      | 2              |
| <i>Hands-On AutoCAD LT</i>   | 2              |
| <i>Mechanical Drawing</i>    | 4              |
| <i>Applying AutoCAD 2006</i> | 4              |
| <i>Applying AutoCAD 2005</i> | 4              |

## CAD Problem 4

### Wrench

Draw the wrench shown below. Create the drawing accurately according to the dimensions shown. Do not dimension.



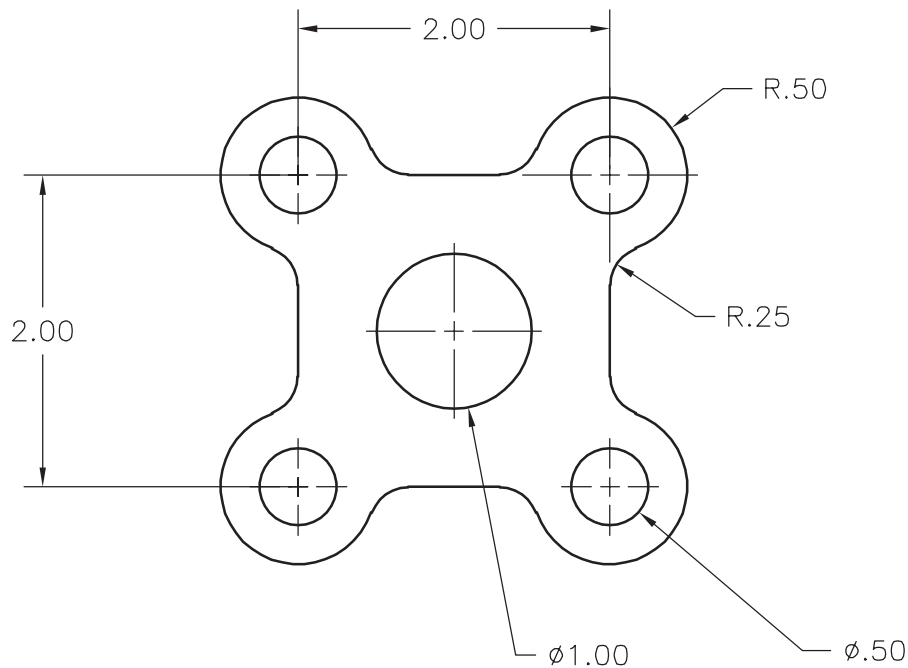
This problem can be used with the following Glencoe textbooks:

| <b>Textbook</b>              | <b>Chapter</b> |
|------------------------------|----------------|
| <i>Hands-On AutoCAD</i>      | 3              |
| <i>Hands-On AutoCAD LT</i>   | 3              |
| <i>Mechanical Drawing</i>    | 5              |
| <i>Applying AutoCAD 2006</i> | 4              |
| <i>Applying AutoCAD 2005</i> | 4              |

## CAD Problem 5

### Gasket

Using a drafting board or CAD, draw the gasket shown below. If you are using board drafting techniques, mark all of the tangent points. Do not erase construction lines.



This problem can be used with the following Glencoe textbooks:

| Textbook                     | Chapter |
|------------------------------|---------|
| <i>Hands-On AutoCAD</i>      | 6       |
| <i>Hands-On AutoCAD LT</i>   | 6       |
| <i>Mechanical Drawing</i>    | 5       |
| <i>Applying AutoCAD 2006</i> | 15      |
| <i>Applying AutoCAD 2005</i> | 15      |