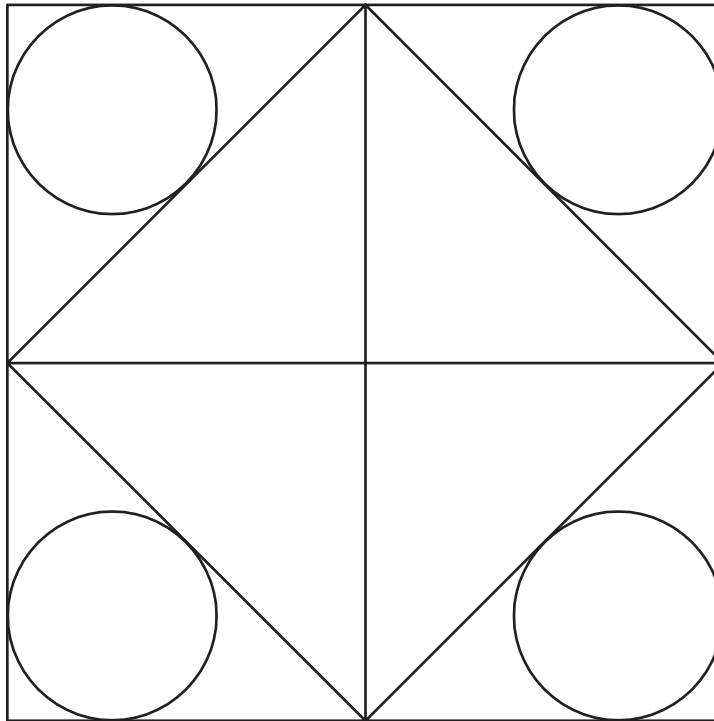


CAD Problem 1

Geometric Object

Sketch the geometric object shown below using rectangles, triangles, and circles. In how many different ways can it be constructed?



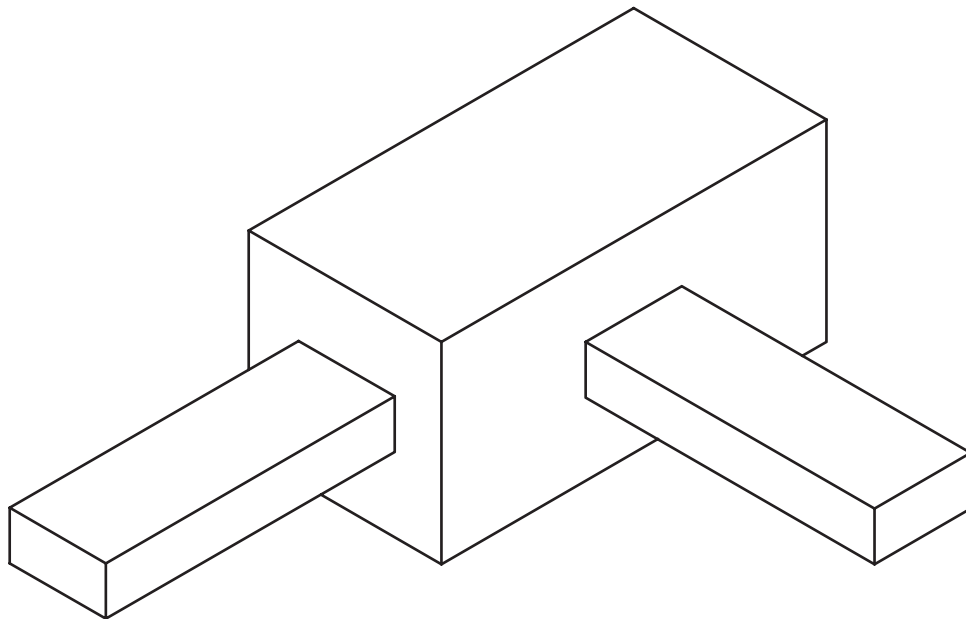
This problem can be used with the following Glencoe textbooks:

Textbook	Chapter
<i>Hands-On AutoCAD</i>	2
<i>Hands-On AutoCAD LT</i>	2
<i>Mechanical Drawing</i>	2
<i>Applying AutoCAD 2006</i>	4
<i>Applying AutoCAD 2005</i>	4

CAD Problem 2

Multiview Drawing

Sketch three views of the object shown below. Select appropriate proportions and sizes.



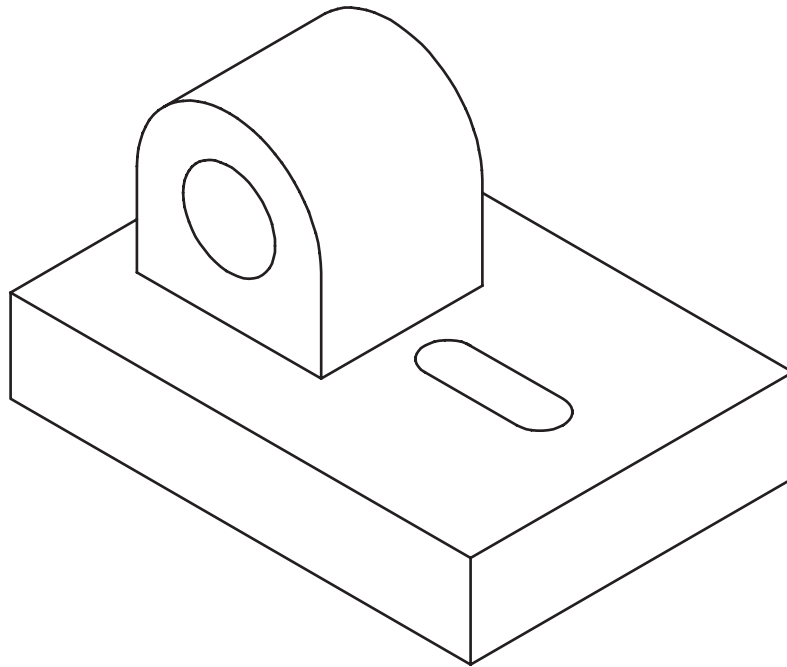
This problem can be used with the following Glencoe textbooks:

Textbook	Chapter
<i>Hands-On AutoCAD</i>	2
<i>Hands-On AutoCAD LT</i>	2
<i>Mechanical Drawing</i>	2
<i>Applying AutoCAD 2006</i>	4
<i>Applying AutoCAD 2005</i>	4

CAD Problem 3

Machine Parts

Sketch three views of the machine parts shown below. Select appropriate proportions and sizes.



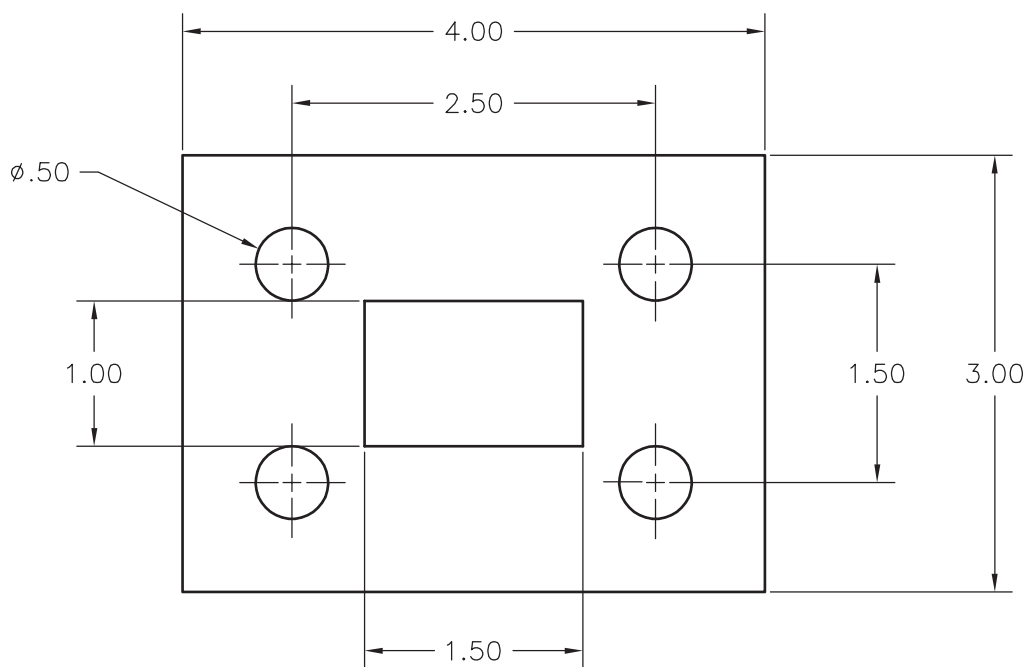
This problem can be used with the following Glencoe textbooks:

Textbook	Chapter
<i>Hands-On AutoCAD</i>	2
<i>Hands-On AutoCAD LT</i>	2
<i>Mechanical Drawing</i>	2
<i>Applying AutoCAD 2006</i>	4, 18
<i>Applying AutoCAD 2005</i>	4, 20

CAD Problem 4

Bar Locator

Create a freehand sketch of the bar locator shown below. Make the sketch to scale on an 8.5" × 11" sheet of paper. Use quarter-inch or half-inch graph paper. Do not include dimensions. Estimate the dimensions that are not shown.



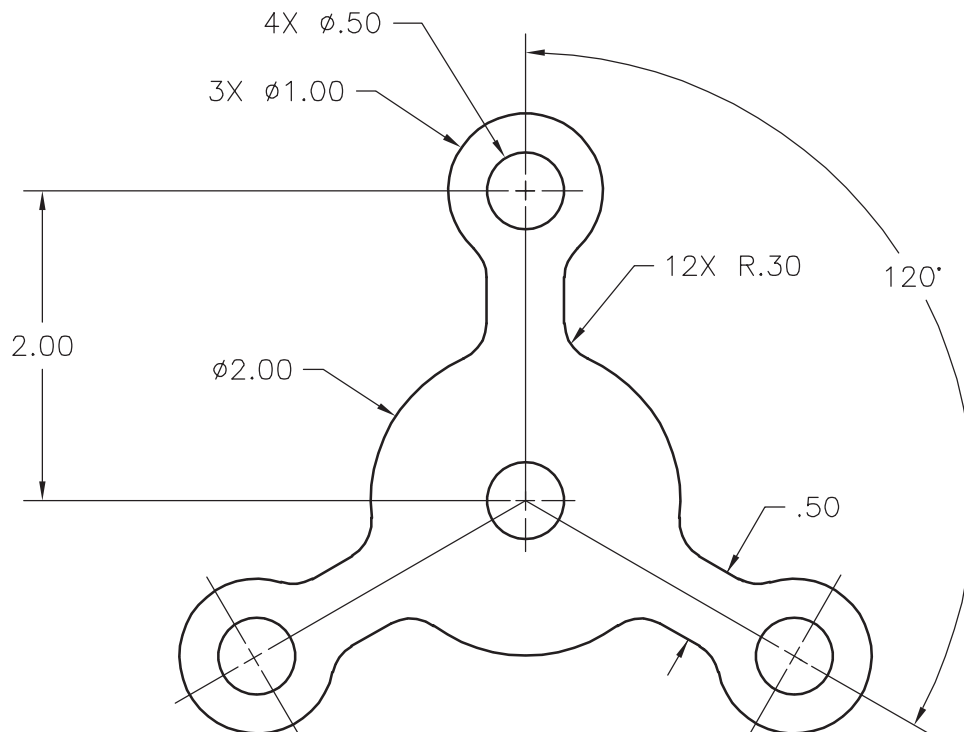
This problem can be used with the following Glencoe textbooks:

Textbook	Chapter
<i>Hands-On AutoCAD</i>	2
<i>Hands-On AutoCAD LT</i>	2
<i>Mechanical Drawing</i>	2
<i>Applying AutoCAD 2006</i>	18, 22-24
<i>Applying AutoCAD 2005</i>	20, 21-23

CAD Problem 5

Pole Support

Create a freehand sketch of the pole support shown below. Make the sketch to scale on an 8.5" × 11" sheet of paper. Use quarter-inch or half-inch graph paper. Do not include dimensions. Estimate the dimensions that are not shown.



This problem can be used with the following Glencoe textbooks:

Textbook	Chapter
<i>Hands-On AutoCAD</i>	2
<i>Hands-On AutoCAD LT</i>	2
<i>Mechanical Drawing</i>	2
<i>Applying AutoCAD 2006</i>	14, 16
<i>Applying AutoCAD 2005</i>	14, 26