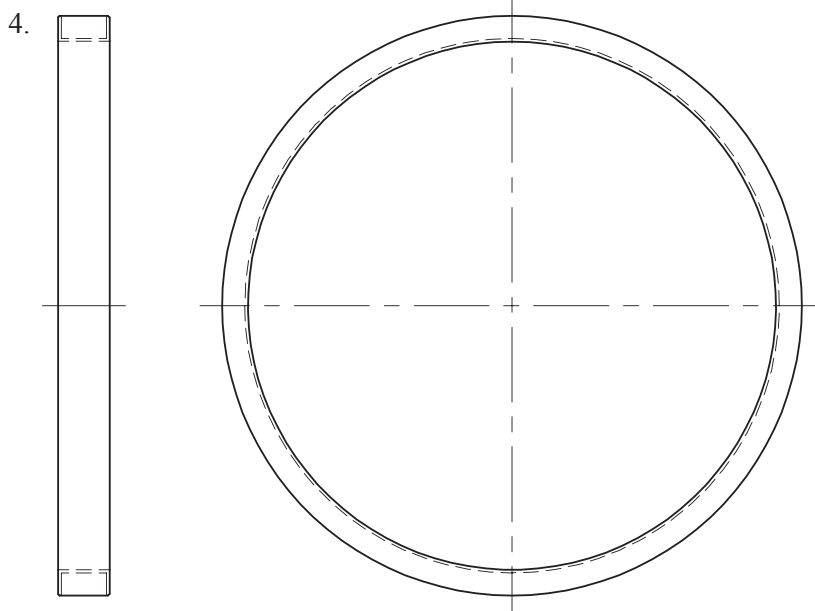
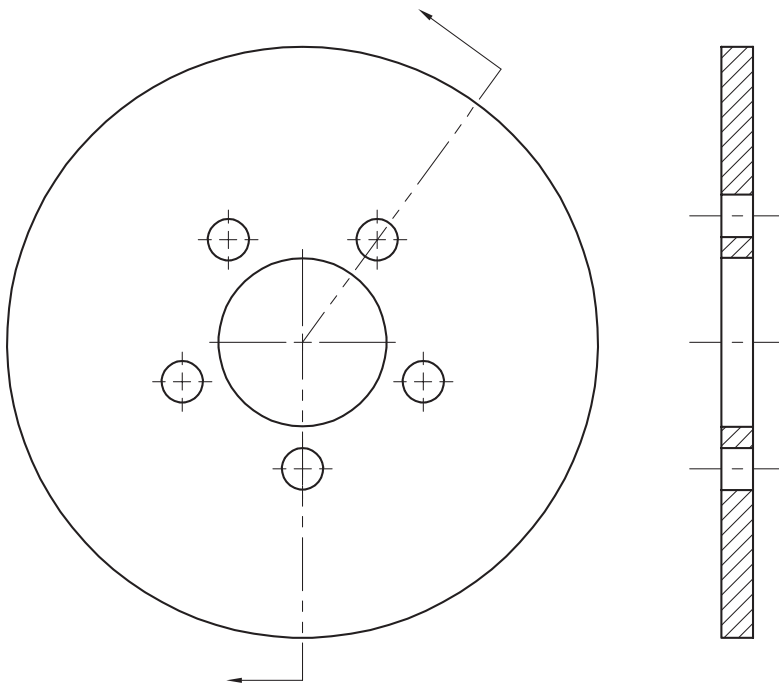


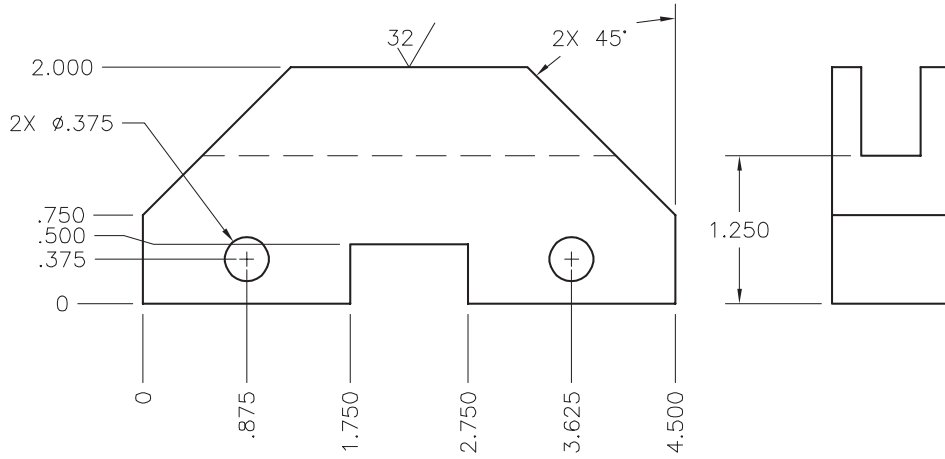
Answers to CAD Problems

1. Cylinders should resemble the one on the problem sheet. Students should be able to explain the characteristics of a cabinet view drawing.
2. Bar guides should resemble the one on the problem sheet, but the actual view may differ, depending on the vanishing point students choose.
- 3.



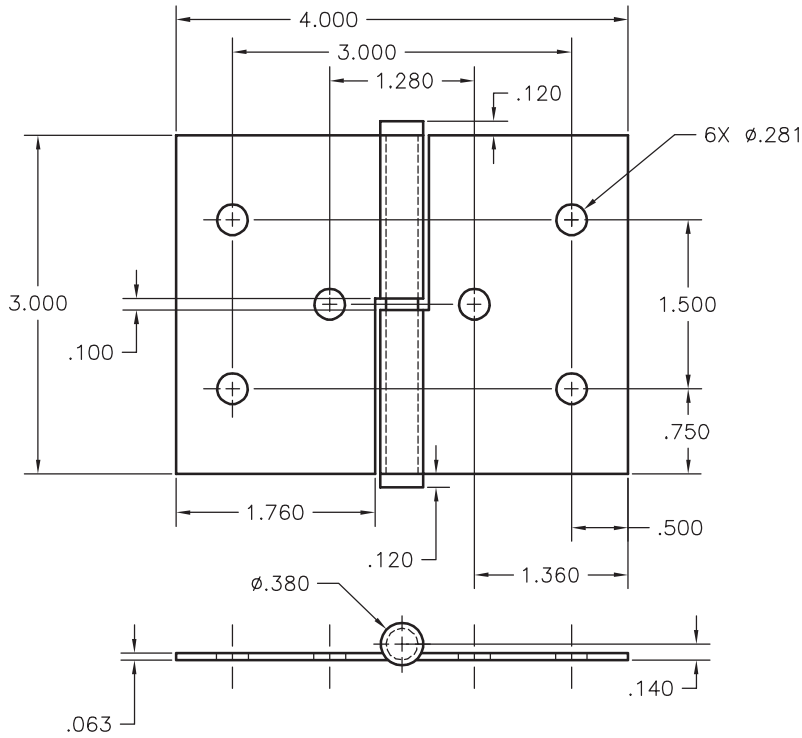
Answers to CAD Problems

5.



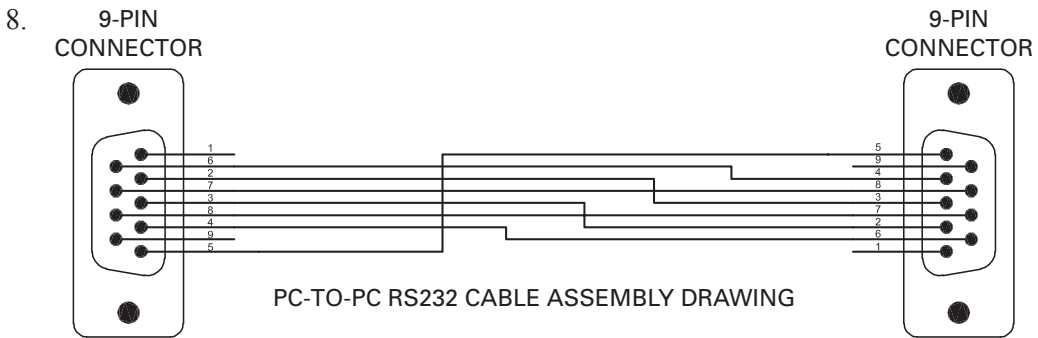
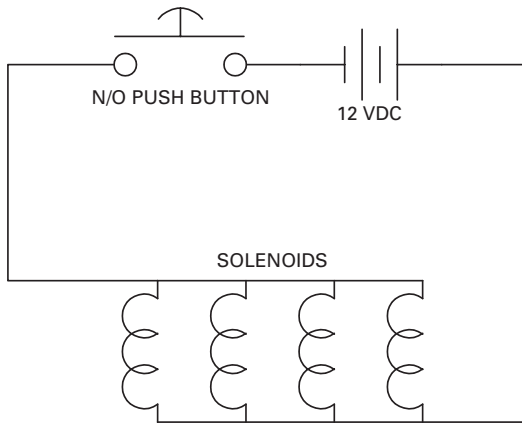
6.

ANSWERS WILL VARY



Answers to CAD Problems

7. Answers will vary. An example is shown below.



9. Answers will vary. Encourage students to be creative in their door designs.

