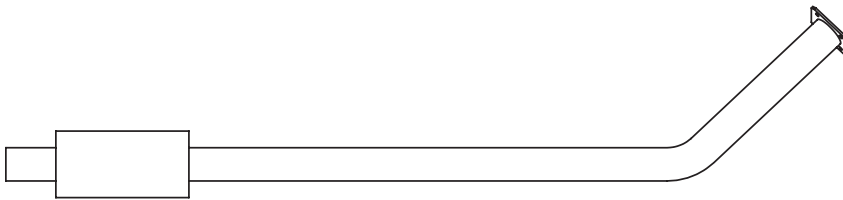
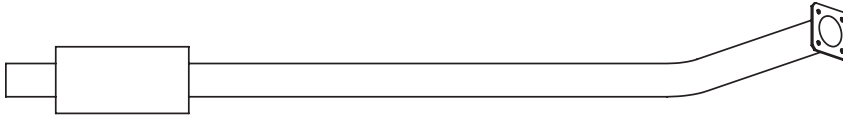
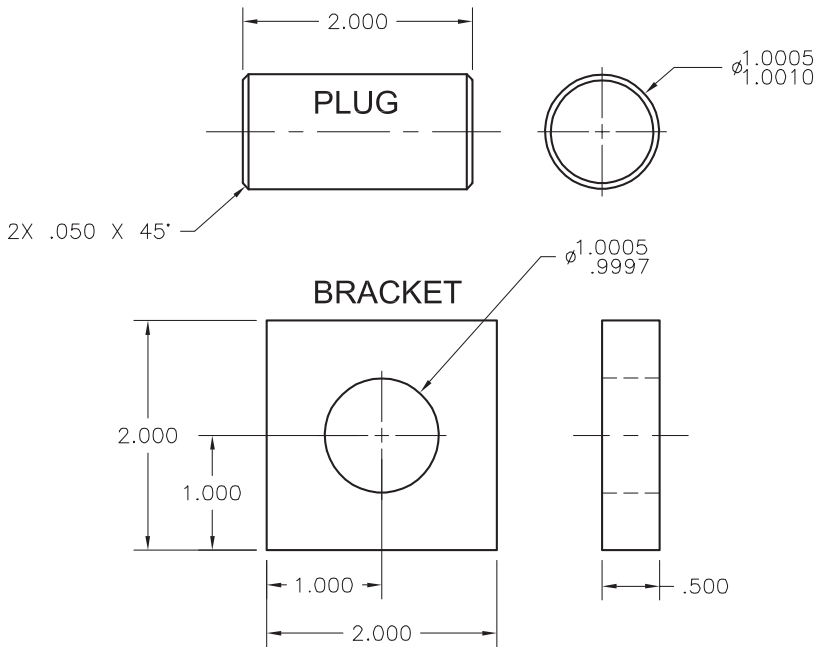


Answers to CAD Problems

1. Answers will vary, but must show three distinct and correct views similar to the ones shown below.

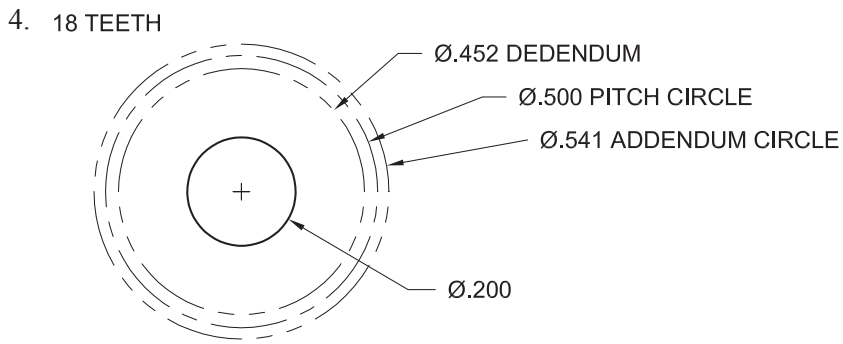
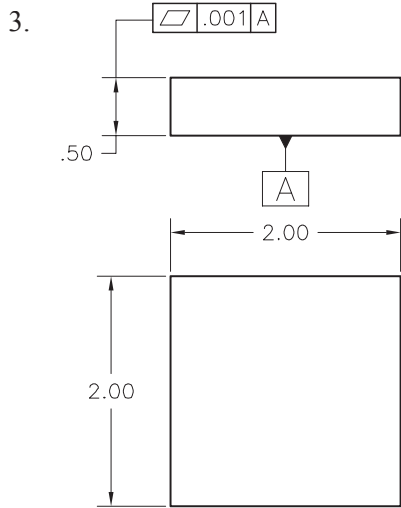


- 2.



(Continues on next page)

Answers to CAD Problems



5. Answers should be similar to the profile shown below.

