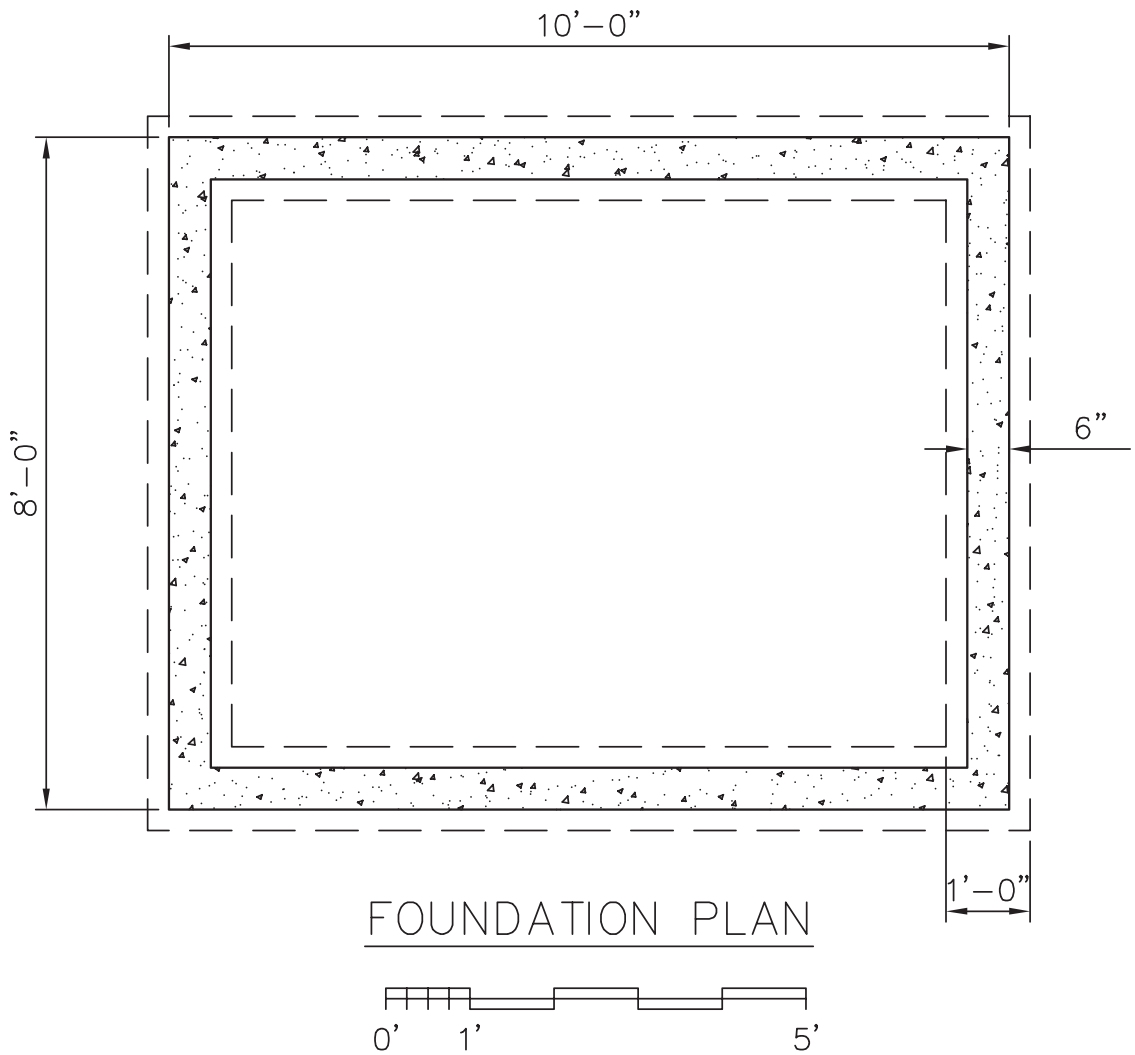


Answers to CAD Problems

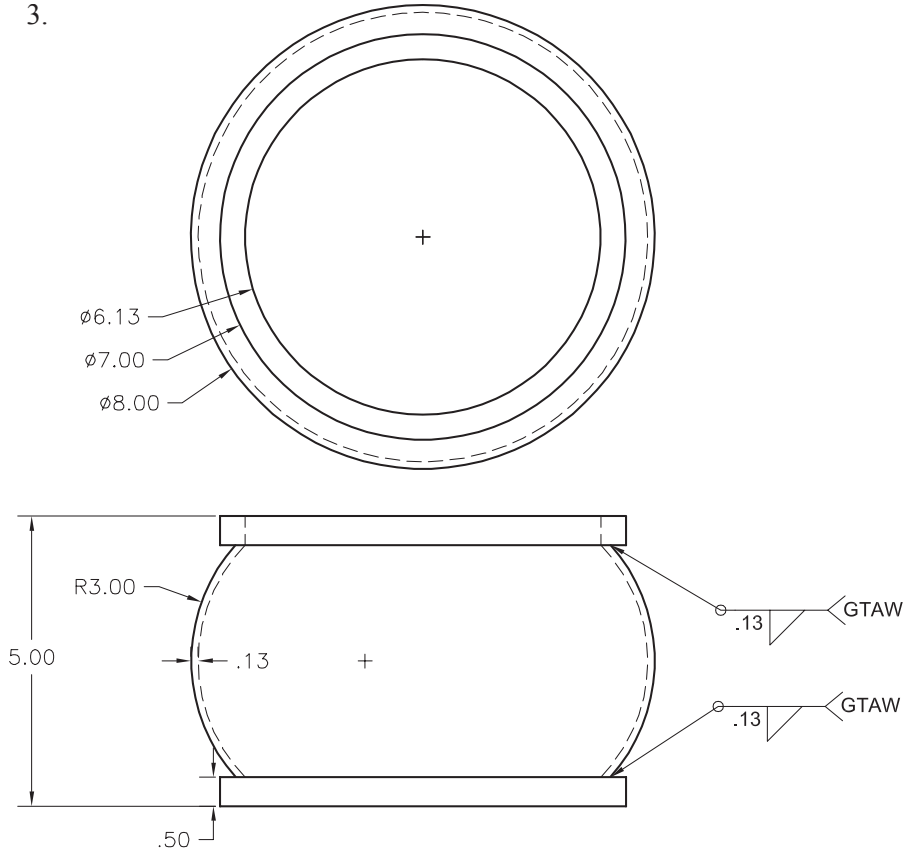
1. Answers will vary. Encourage students to be creative in designing the swimming pool. *Optional:* Discuss the financial aspects of building a swimming pool with a custom size and shape and how this would compare to building a pool of standard size. What factors cause the price difference?
2. Drawings should be similar to the one shown on the problem page (see below).



(Continues on next page)

Answers to CAD Problems

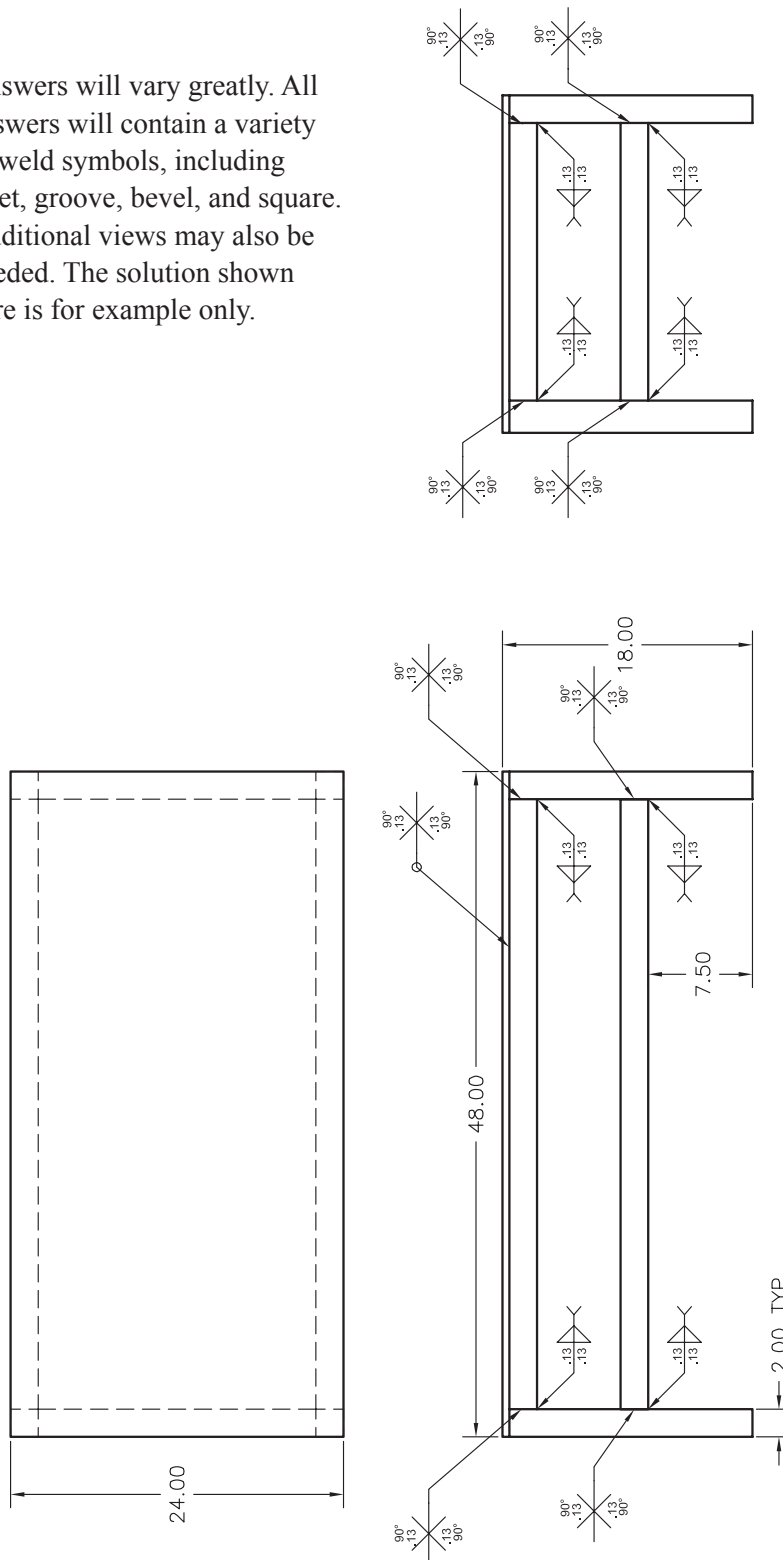
3.



(Continues on next page)

Answers to CAD Problems

4. Answers will vary greatly. All answers will contain a variety of weld symbols, including fillet, groove, bevel, and square. Additional views may also be needed. The solution shown here is for example only.



5. Answers will vary. Encourage students to be creative, and check their schematics for logic.