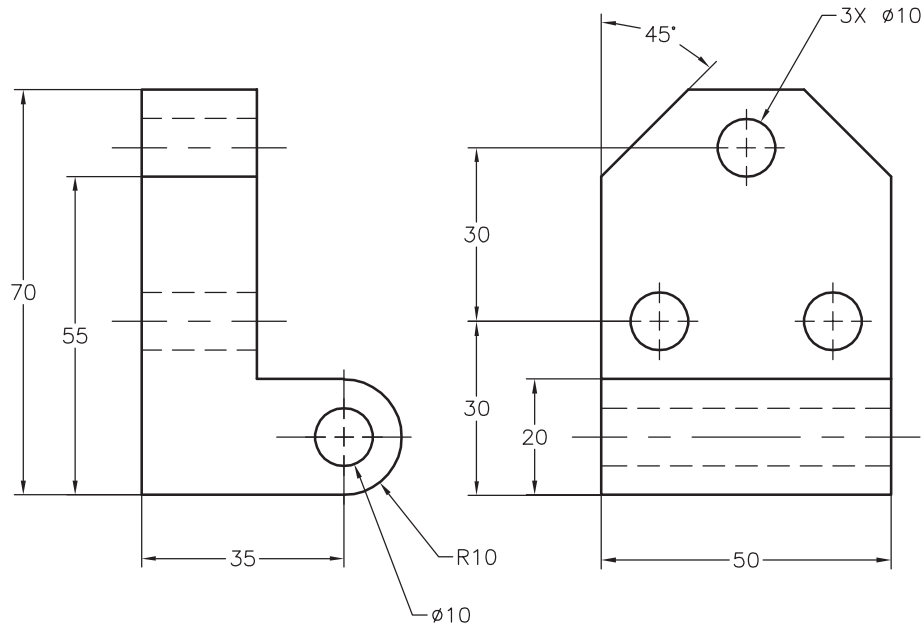


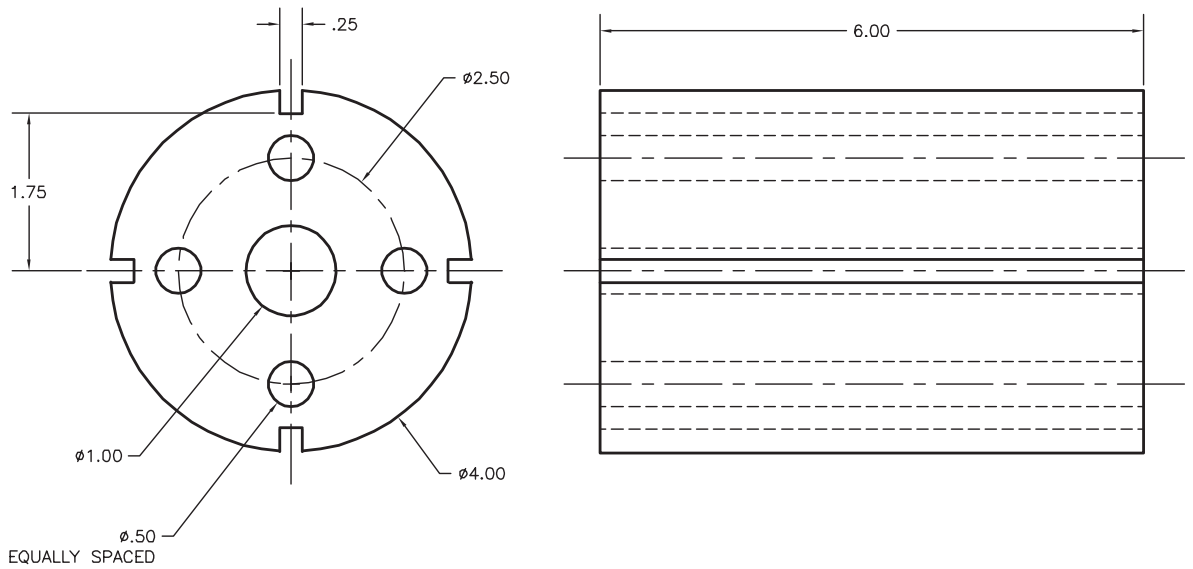
Answers to CAD Problems

1.



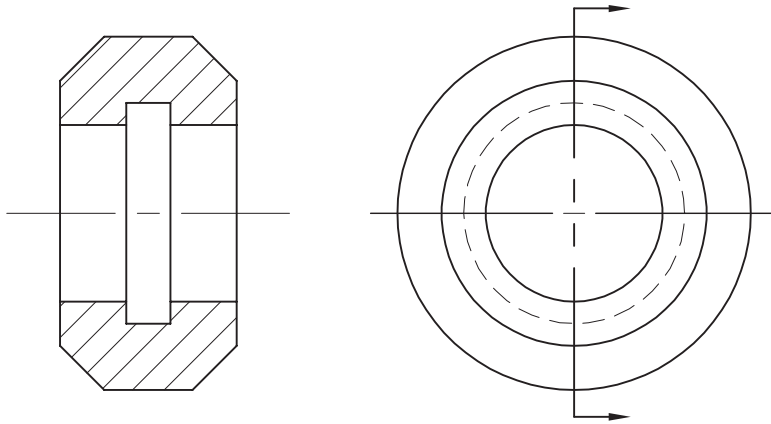
METRIC

2.

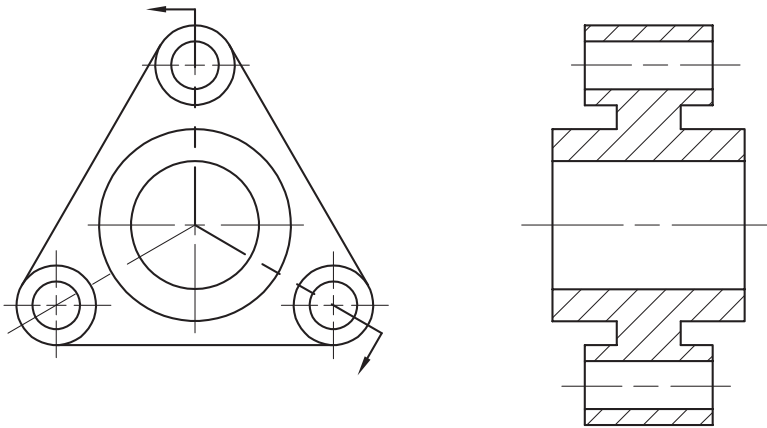


Answers to CAD Problems

3.



4.



5.

