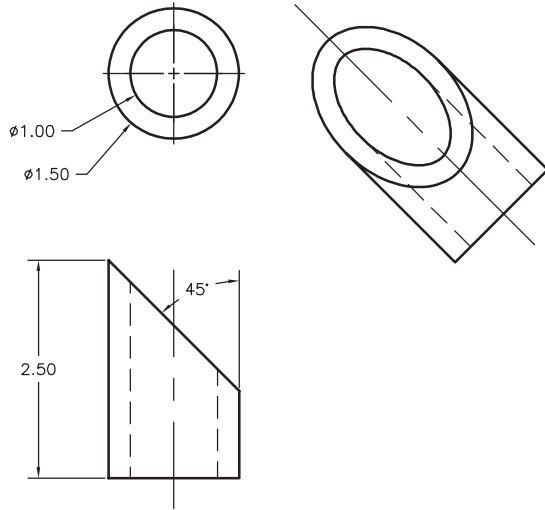
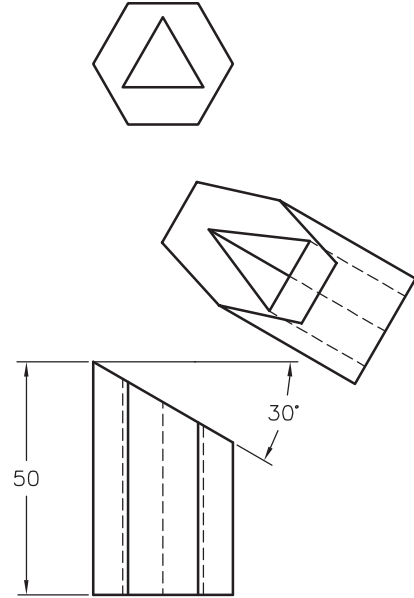


Answers to CAD Problems

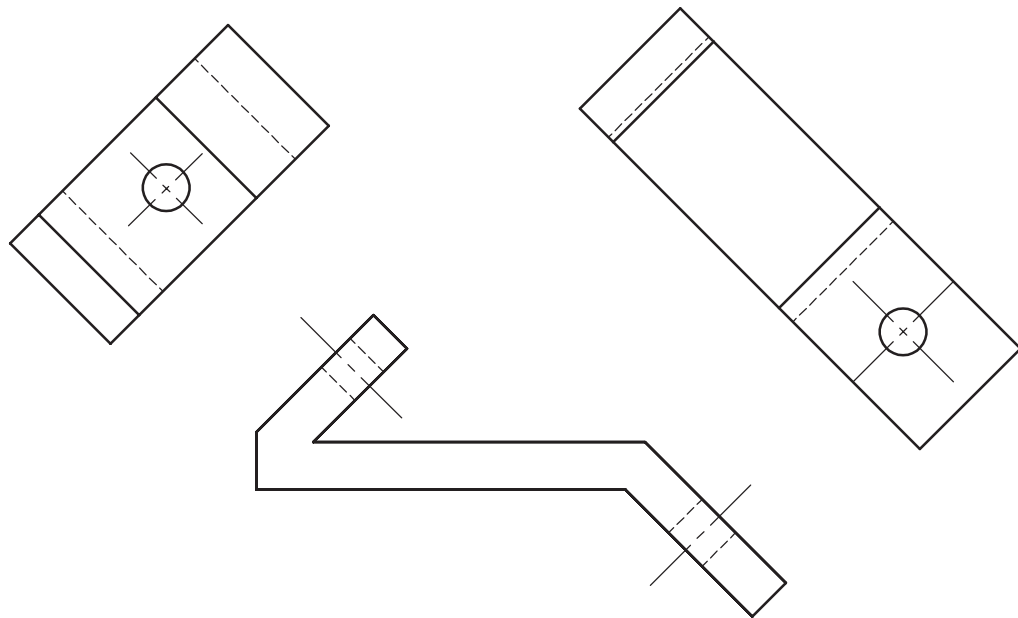
1.



2.

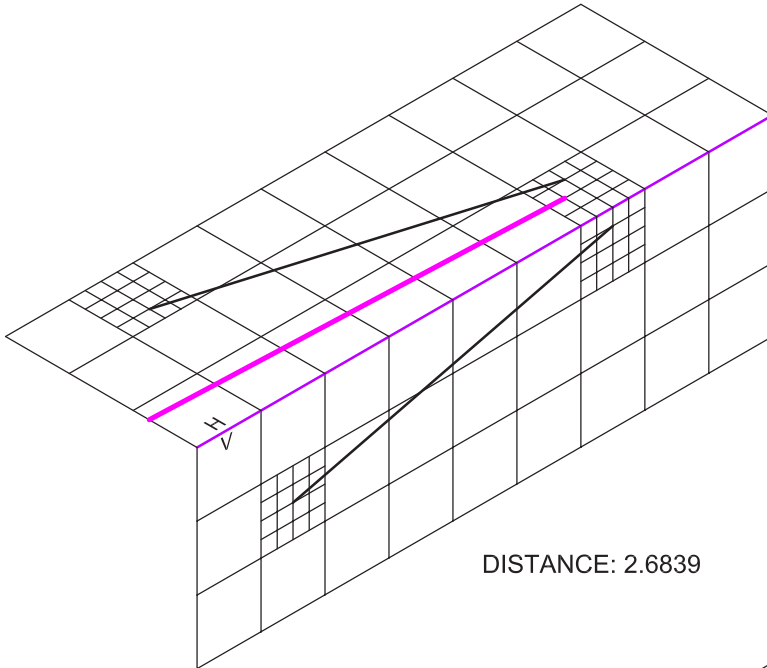


3.



Answers to CAD Problems

4.



DISTANCE: 2.6839

5.

