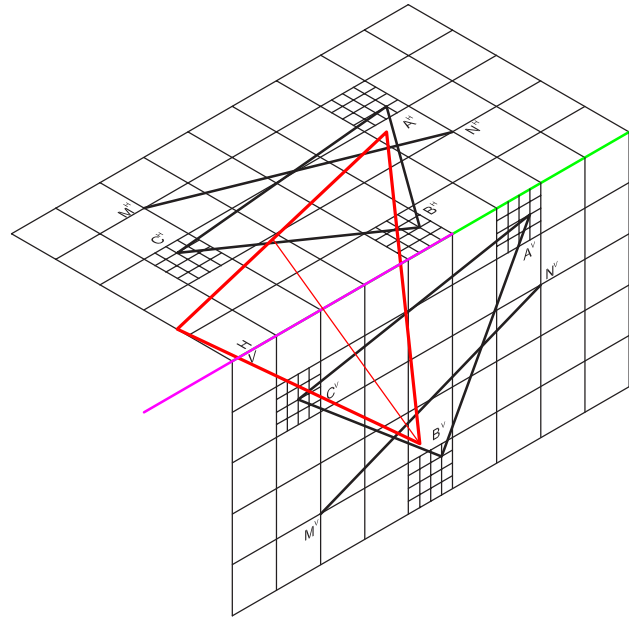
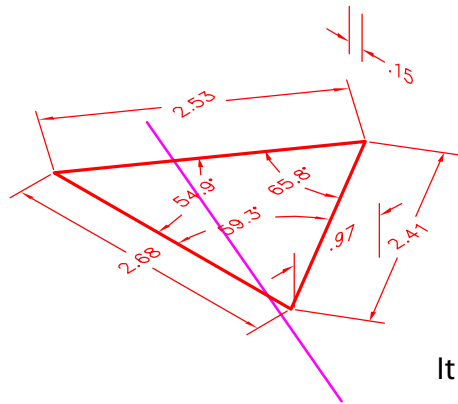


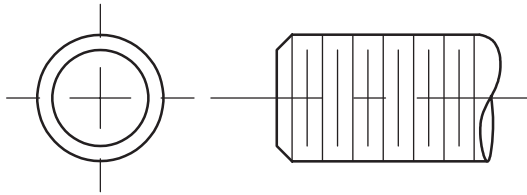
Answers to CAD Problems

1.

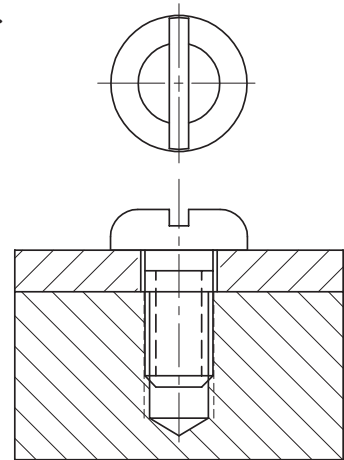


It does not pierce.

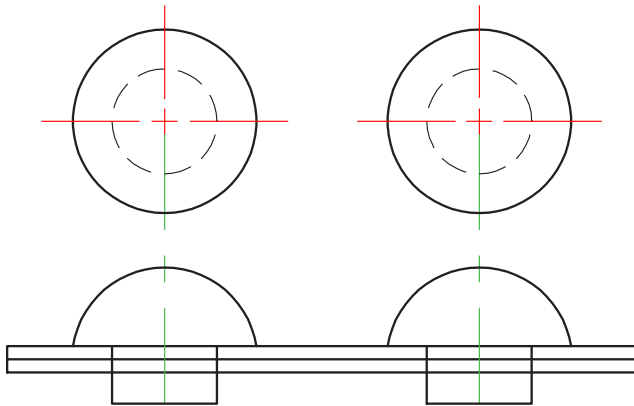
2.



3.



4.





Answers to CAD Problems

5.

